

Features

- Pure aluminum heatsink(Die casting)
- LED Source SMD5050
- Chip Brand Nichia
- Driver Meanwell HLG
- 170lm/w (SMD5050)

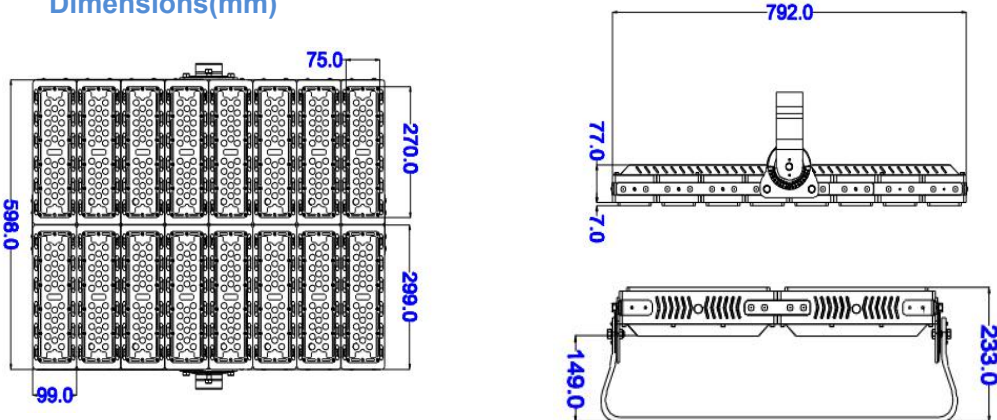
Certification & Report

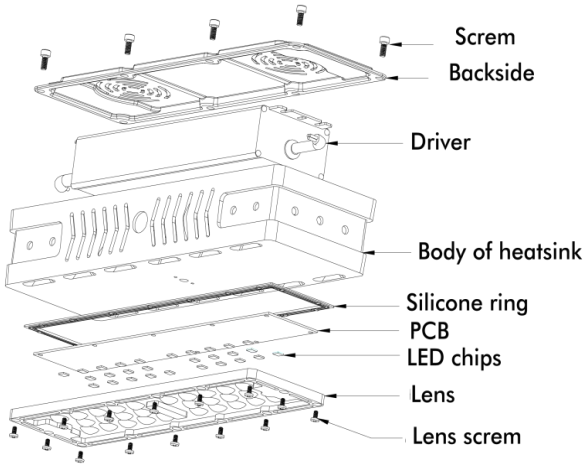
- ETL/DLC/CE/ROHs/SAA
- LM-80/IES

General information

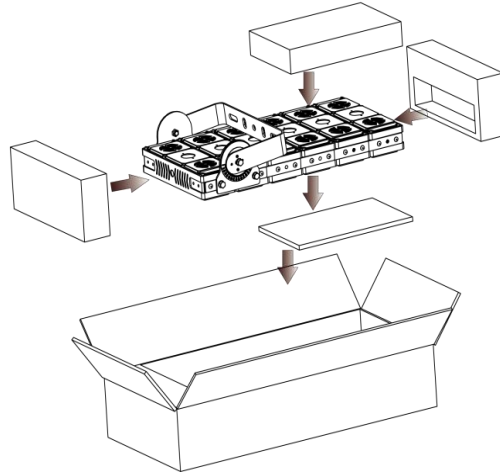
Model No.:	EXT-HF-F-1200W
Power:	1200W±5%
Input Voltage:	AC100~277V
Power Factor:	>0.95
CCT:	6000K
CRI:	>75
Lumen:	204,000LM±5%
Beam Angle	120°
IP Grade:	IP65
Lifespan:	50,000H
Working Temperature:	-40-50 °C
Installing Method:	Adjustable Bracket
Material:	Aluminum+PC(Lens)
Weight:	34KG(74.8lbs)
Accessory optional:	Plug, Motion sensor, DALI Dimming,ZIGBEE Solution

Dimensions(mm)





Explosion illustration



Packaing



Super Module Lighting

Designed By Modular Innvation Concept, Module Model Lights



[view more](#)

