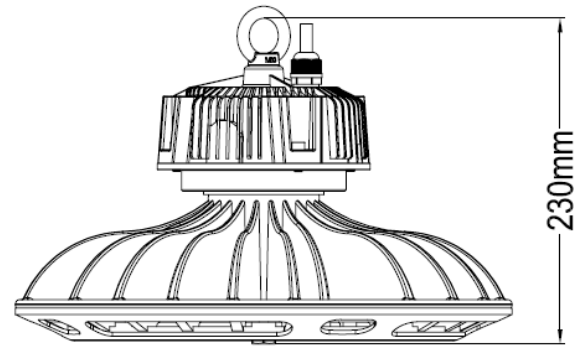
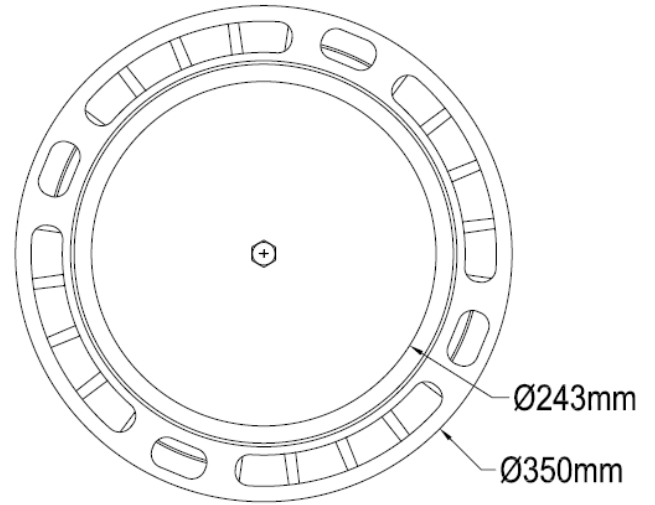




TECHNICAL DATA SHEET



NAME: LED High Bay Light

P/N: EXT- HB-150W-1111-1601

Extreme LED lightz

www.extremeledlightz.ca

E-mail: extremeledlightz@gmail.com

Tel: 1-(403) 318-8954



TECHNICAL DATA SHEET

Advantage

- UL cUL certificate
- Mean Well IP65 driver,
Input voltage 100-277VAC

- No UV or IR in the beam
- Easy to install and operate
- Energy saving, long lifespan
- Instant start, NO flickering, NO humming
- Green and eco-friendly without mercury.



Application

- ◆ Warehouse, factory and workshops;
- ◆ Highway toll station and gas station;
- ◆ Exhibition hall;
- ◆ Gymnasium and supermarkets, etc.

Extreme LED lightz

www.extremeledlightz.ca

E-mail: extremeledlightz@gmail.com

Tel: 1-(403) 318-8954



TECHNICAL DATA SHEET

Product Specifications

Product name	LED High Bay Light
Part No	EXT-HB-150W-1111-1601
Dimension	Ø 350 x 230 mm

Technical Characteristic

Color temperature	2700-7000K
CRI	>70
Lumen	15000-19500LM
Input Power	150W
Viewing Angle	120°
Input Voltage	100-277VAC 50/60Hz
Driver model	HBG-160-48A (Mean Well Driver)
PFC	>0.9
Waterproof Rating	IP65

Materials

LED Brand	LUMILEDS
LED Type	LUXEON 3030 2D (1.5W)
LED QTY	182 PCS
Housing	Magnesium Alloy
Housing color	Black
Cover	Tempered Glass

Others

Operating Temperature	-20°C TO 45°C
Operating Humidity	20%-90% RH
Storage Temperature	-30°C TO 80°C
Storage Humidity	10%-95%
Application	Indoor / Outdoor
Safety Certification	UL, cUL
Warranty Time	5 Years

Extreme LED lightz

www.extremeledlightz.ca

E-mail: extremeledlightz@gmail.com

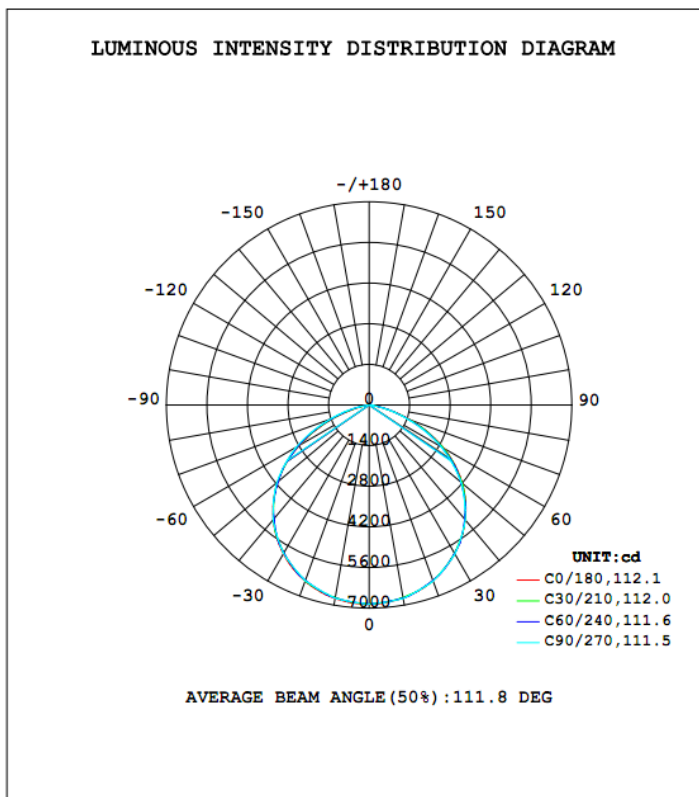
Tel: 1-(403) 318-8954



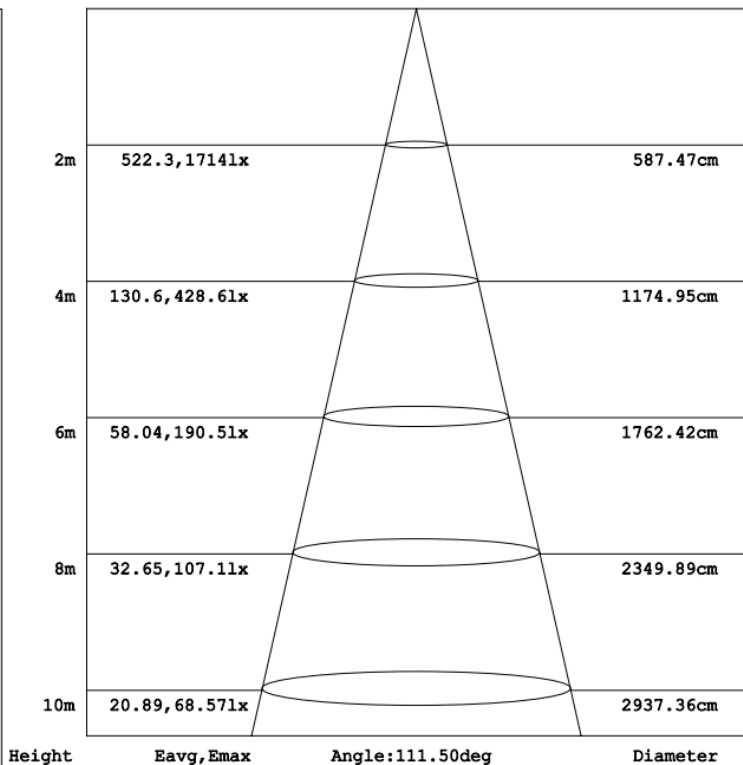
TECHNICAL DATA SHEET

Remark: The testing data comes directly from the product test.

DATA OF LAMP		PHOTOMETRIC DATA				Eff: 122.85 lm/W
MODEL	150W	I _{max} (cd)	6858	S/MH (C0/180)	1.28	
NOMINAL POWER (W)	150W	LOR (%)	100.0	S/MH (C90/270)	1.28	
RATED VOLTAGE (V)	120	TOTAL FLUX (lm)	18583	η UP, DN (C0-180)	0.0, 49.9	
NOMINAL FLUX (lm)	18583	CIE CLASS	DIRECT	η UP, DN (C180-360)	0.0, 50.1	
LAMPS INSIDE	1	η up (%)	0.0	CIBSE SHR NOM	1.25	
TEST VOLTAGE (V)	120	η down (%)	100.0	CIBSE SHR MAX	1.35	



Flux out: 14427 lm



Note: The Curves indicate the illuminated area and the average illumination when the luminaire is at different distance.

Extreme LED lightz

www.extremeledlightz.ca

E-mail: extremeledlightz@gmail.com

Tel: 1-(403) 318-8954



TECHNICAL DATA SHEET

Notice For User

- ◆ Please turn off power before install or change assembly parts.
- ◆ The input voltage and lamps should be matched, after connecting the power line, Please make sure the wiring section is insulated.
- ◆ No-professionals, must not install and disassemble the lamps.

Trouble Shootings

Troubles	Check points
Flickering of the lamps	Turn off the power and turn on again in 3 minutes. If same phenomena occur, then call agencies
Out of working	Please check the connection